


## PRODUCT SHEET

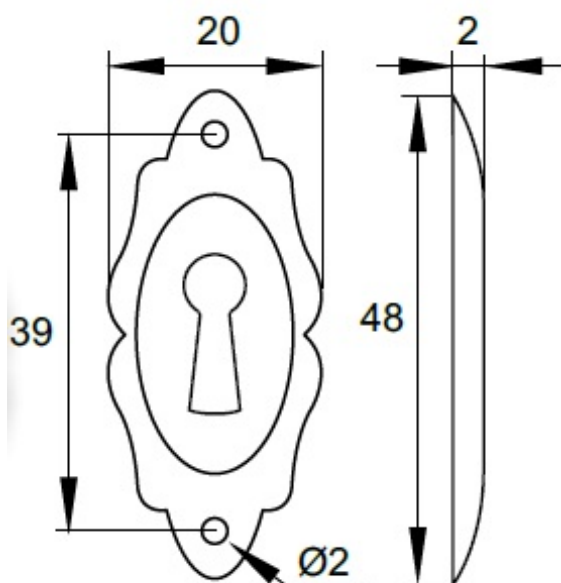
**Description:**

Escutcheon, Oval, Brass Plated, For Nail-On

**Item number:**

14.11.151-1

Units	Box	Carton	HS Code	Barcode
Pcs.	250	2000	8301600090	 5704866050845



**SISO A/S**

Mileparken 11  
DK-2740 Skovlunde  
Denmark  
VAT: DK 24786013

Phone +45 45 830 900

[www.siso.dk](http://www.siso.dk)  
[siso@siso.dk](mailto:siso@siso.dk)

Danske Bank  
Nytorv Branch  
Copenhagen  
SWIFT: DABADKKK

Account no.  
4180 3112 112936  
IBAN Account  
DK7230003112112936